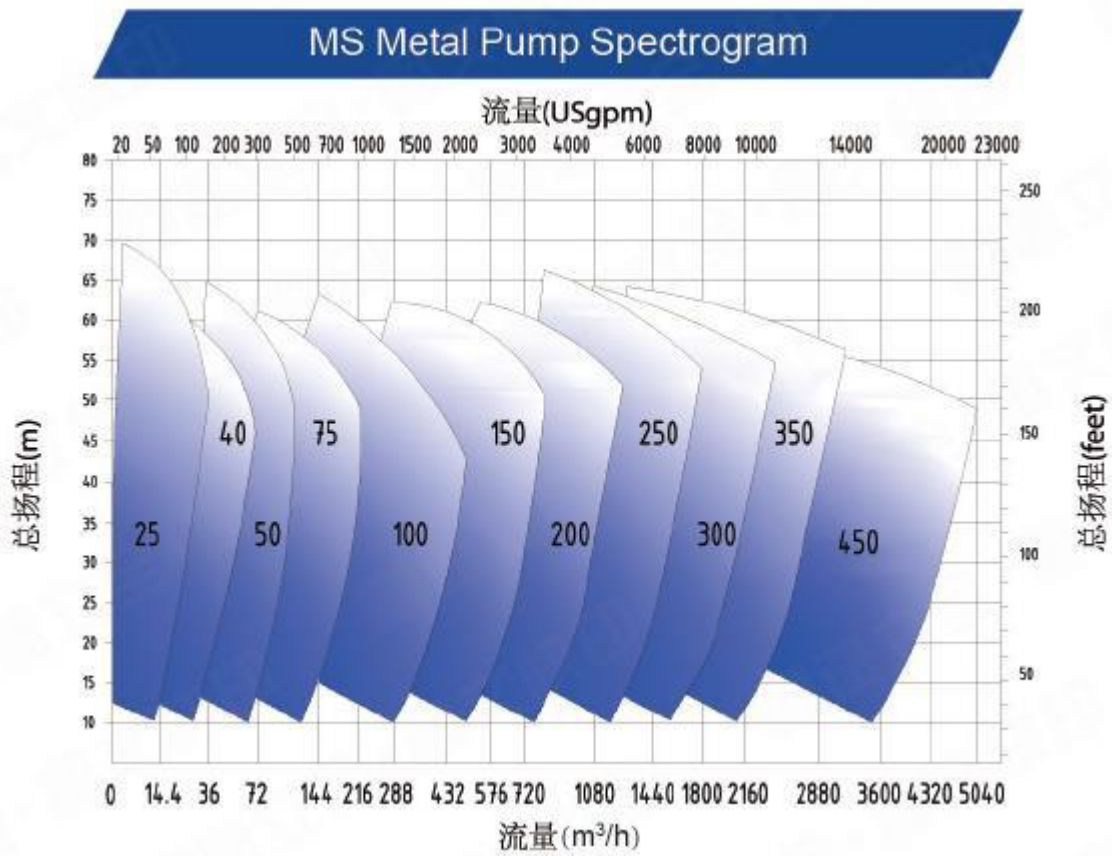


# MS Metal Pump Spectrogram



Technical Parameters

Pump Model	Flow Range (m³/hr)	Head range (m)	Speed (r/min)	NPSHr (mm)	Outlet diameter (mm)	Import diameter (mm)	Impeller diameter (mm)	Number of blades (pieces)	Bare pump weight (Kg)	Maximum shape of bare pump (mm)
100HKK-MS	100-400	10-70	800-1800	3-10	102	152	400	4	680	1024*698*768
100HL-MS	100-400	10-70	800-1800	3-10	102	152	400	4	780	1180*796*768
100HLL-MS	100-400	10-70	800-1800	3-10	102	152	400	4	800	1180*796*768
150HM-MS	200-800	10-80	500-1200	3-10	152	203	560	4	2200	1504*1142*1144
200HM-MS	500-1500	10-80	400-1000	3-10	203	254	750	4	3500	1640*1382*1320
300HNN-MS	1000-2500	10-80	300-700	3-10	305	356	1024	4	7200	2027*1886*1808

New type slurry pump advantages:

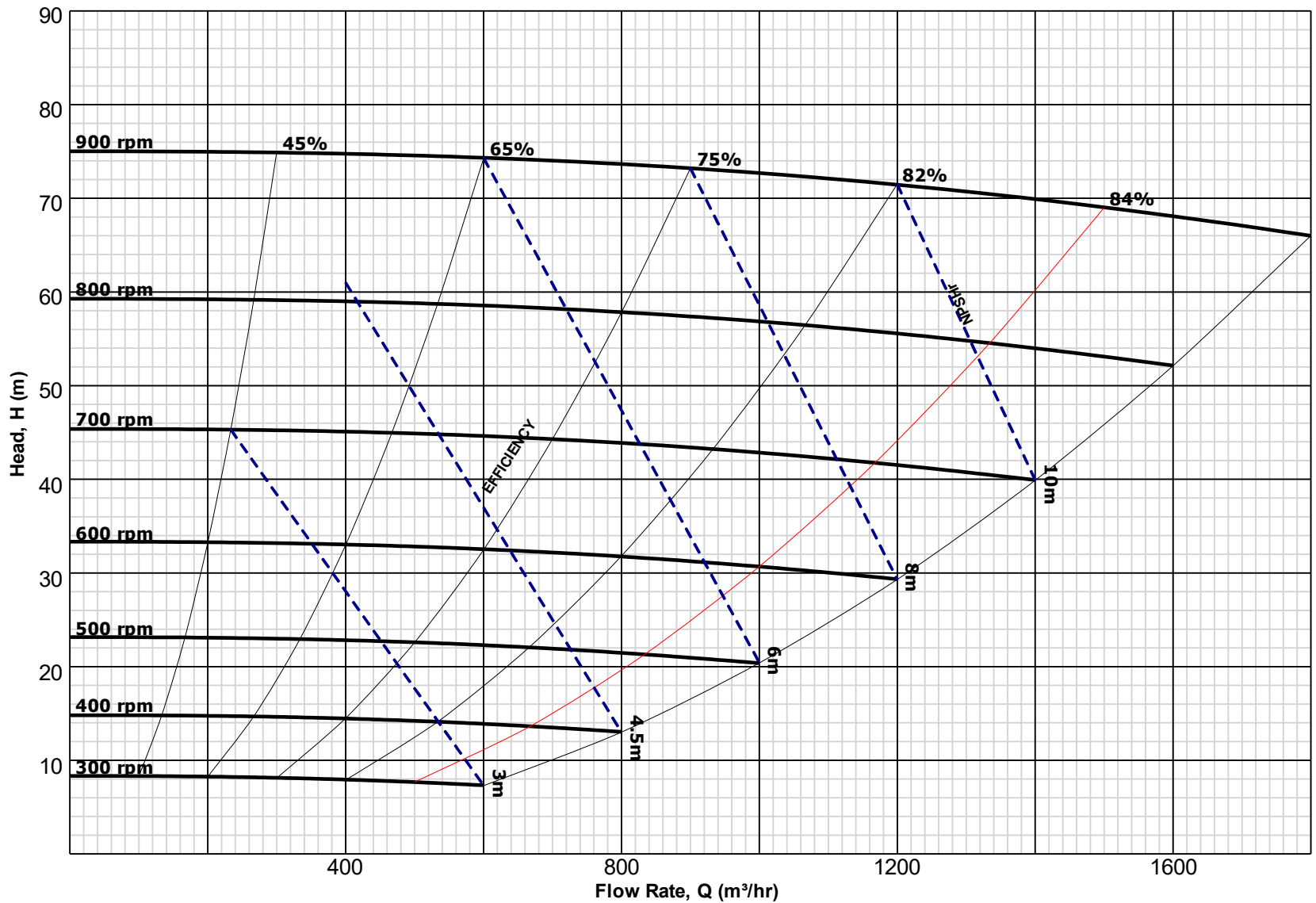
- 1.The efficiency of the new pump is increased by 6~8% compared with the original pump.
- 2.Easier installation, tighter fit of frame plate and cover plate, more accurate interface size at the outlet.
- 3.Improve the ease of installation and positioning accuracy of the volute, to avoid leakage caused by the displacement of the volute.
- 4.Increase the overall pressure-bearing capacity of the pump and extend the service life of the wet end parts.
- 5.Improve the ease of volute installation, more accurate positioning, and reduce displacement. By increasing the positioning of the volute outlet and reducing the overall force range, to improve the service life of the volute.
- 6.The throatbush and volute fit more reasonably and improve the sealing.



# 200 HMS

## Horizontal Pump

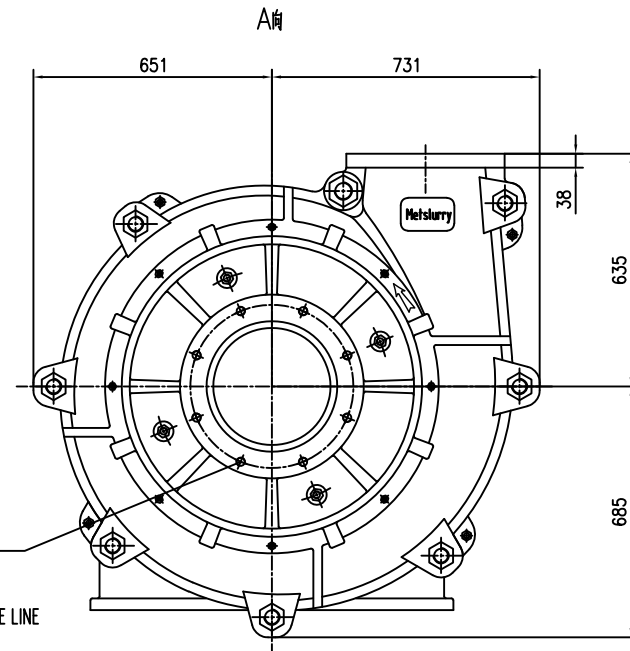
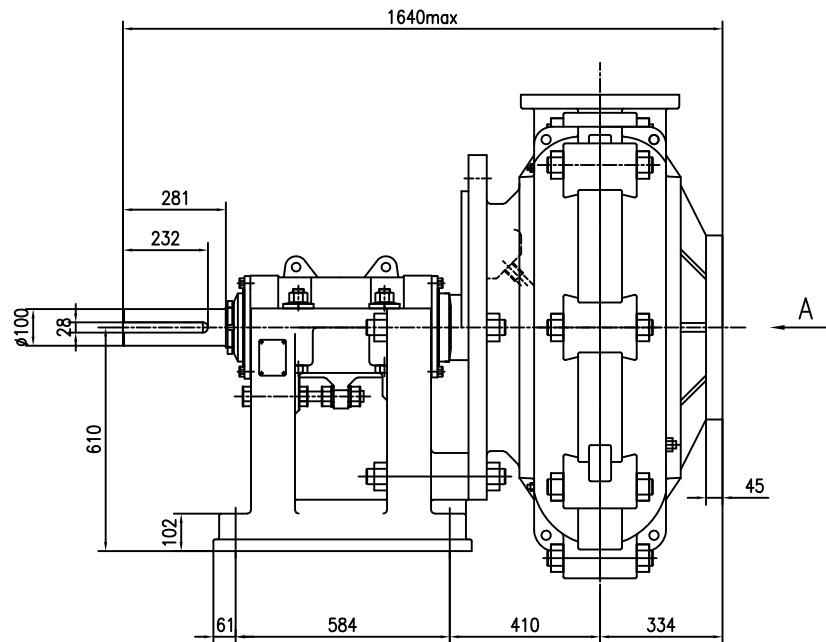
<b>Pump</b>	
Discharge	203mm
Suction	254mm
<b>Impeller</b>	
Vane ø	755mm
Type	Closed
Vanes	4
Part No.	HM200001
Material	Metal
<b>Frame (Rating - KW)</b>	
M	260
MMX	425
MM	425
RSX	560
RS	560
N	600
NN	900
Y	1200
<b>Seal</b>	
Gland Sealed Pump	
<b>Liner (Norm Max r/min)</b>	
Metal	900
<b>Min Passage Size</b>	
80mm	
<b>Curve</b>	
Revision	1



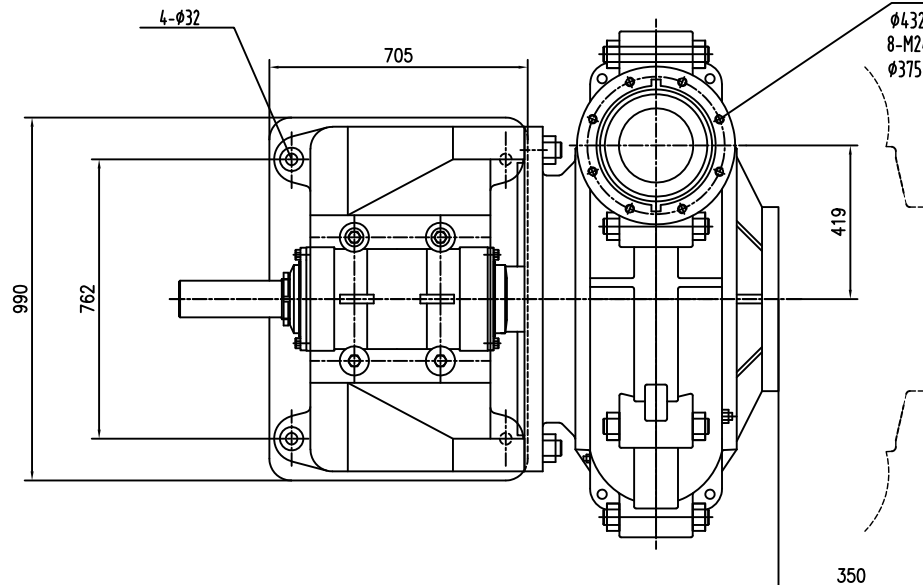
TYPICAL PUMP PERFORMANCE CURVE  
**WPAH200A01/1**

© 11/2023 Metslurry  
 All Rights Reserved

CURVE SHOWS APPROXIMATE PERFORMANCE FOR CLEAR WATER (International Test Standard ISO9906:1999 - Grade 2 unless otherwise specified). For media other than water, corrections must be made for density, viscosity and/or other effects of solids. Frame suitability must be checked for each duty and drive arrangement. Not all frame alternatives are necessarily available from each manufacturing centre. Metslurry reserves the right to change pump performance and/or delete impellers without notice.




INTAKE FLANGE  
 $\phi 502$  O.D. X  $\phi 254$  I.D.  
 8-M24 EQUISPACED ON  
 $\phi 445$  P.C.D. OFF CENTRE LINE



DISCHARGE FLANGE  
 $\phi 432$  O.D. X  $\phi 203$  I.D.  
 8-M24 EQUISPACED ON  
 $\phi 375$  P.C.D. OFF CENTRE LINE

(Minimum disassembly distance)

		SLURRY PUMP		200HM-MS		
		OUTLINE DIMENSIONS		Weight	Proportion	REV
DESIGN	MengDar	DATA	24.11.023	3500	1:10	1
CHECK				Shijiazhuang Mets Machinery Co. Ltd		
APP						