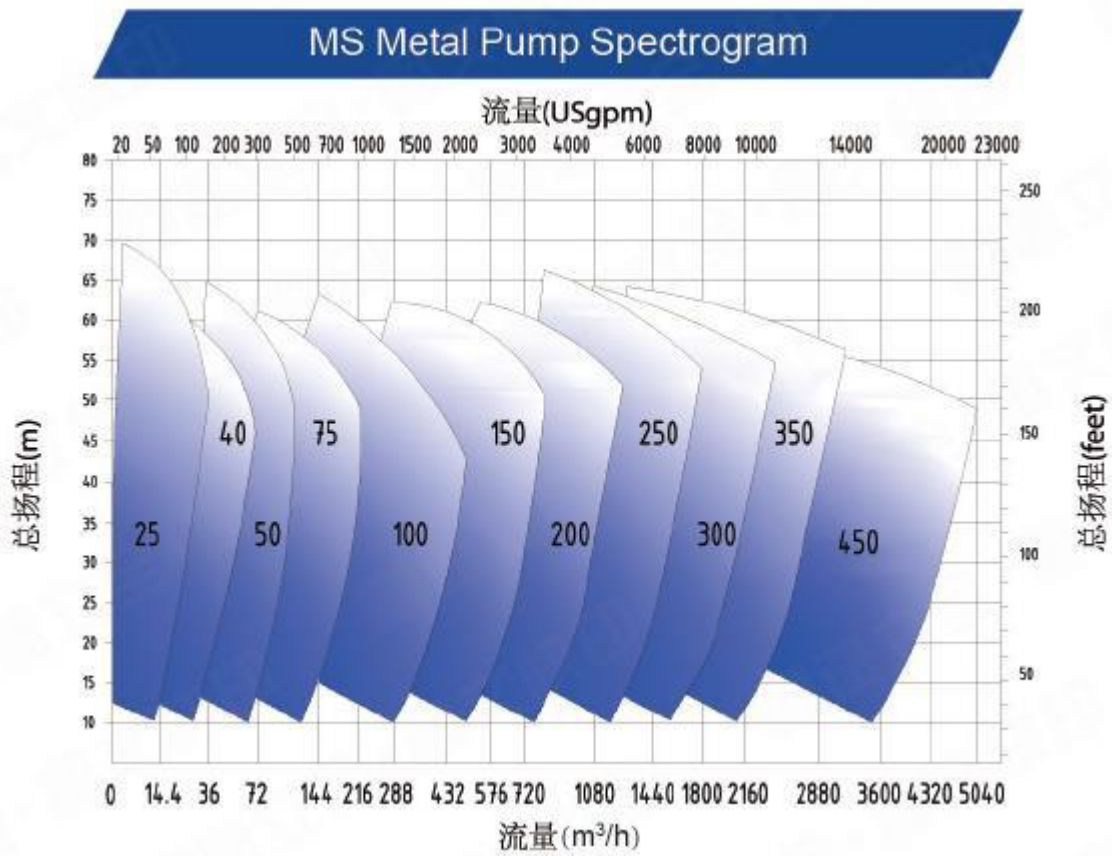


MS Metal Pump Spectrogram



Technical Parameters

Pump Model	Flow Range (m³/hr)	Head range (m)	Speed (r/min)	NPSHr (mm)	Outlet diameter (mm)	Import diameter (mm)	Impeller diameter (mm)	Number of blades (pieces)	Bare pump weight (Kg)	Maximum shape of bare pump (mm)
100HKK-MS	100-400	10-70	800-1800	3-10	102	152	400	4	680	1024*698*768
100HL-MS	100-400	10-70	800-1800	3-10	102	152	400	4	780	1180*796*768
100HLL-MS	100-400	10-70	800-1800	3-10	102	152	400	4	800	1180*796*768
150HM-MS	200-800	10-80	500-1200	3-10	152	203	560	4	2200	1504*1142*1144
200HM-MS	500-1500	10-80	400-1000	3-10	203	254	750	4	3500	1640*1382*1320
300HNN-MS	1000-2500	10-80	300-700	3-10	305	356	1024	4	7200	2027*1886*1808

New type slurry pump advantages:

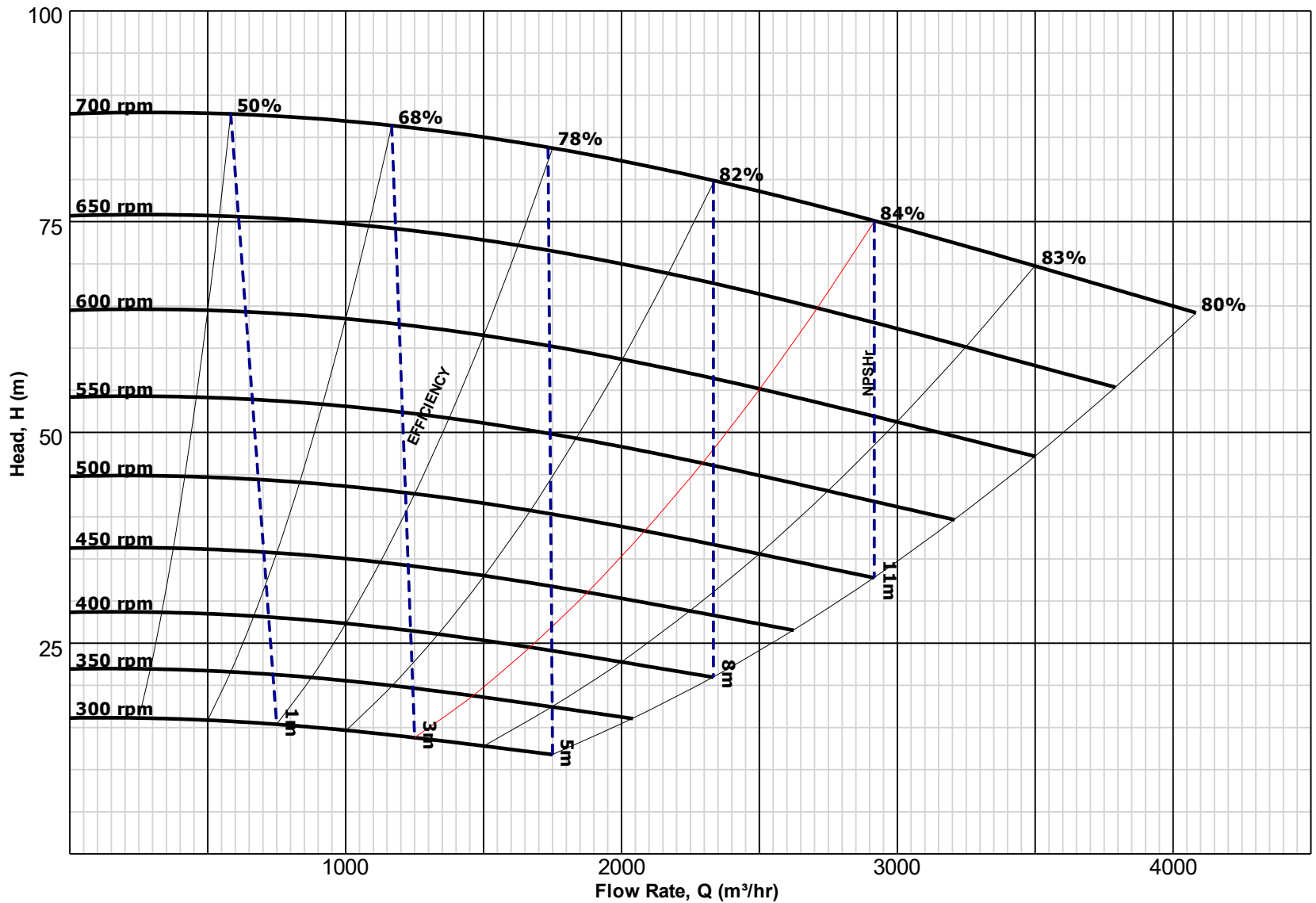
- 1.The efficiency of the new pump is increased by 6~8% compared with the original pump.
- 2.Easier installation, tighter fit of frame plate and cover plate, more accurate interface size at the outlet.
- 3.Improve the ease of installation and positioning accuracy of the volute, to avoid leakage caused by the displacement of the volute.
- 4.Increase the overall pressure-bearing capacity of the pump and extend the service life of the wet end parts.
- 5.Improve the ease of volute installation, more accurate positioning, and reduce displacement. By increasing the positioning of the volute outlet and reducing the overall force range, to improve the service life of the volute.
- 6.The throatbush and volute fit more reasonably and improve the sealing.



300 HMS

Horizontal Pump

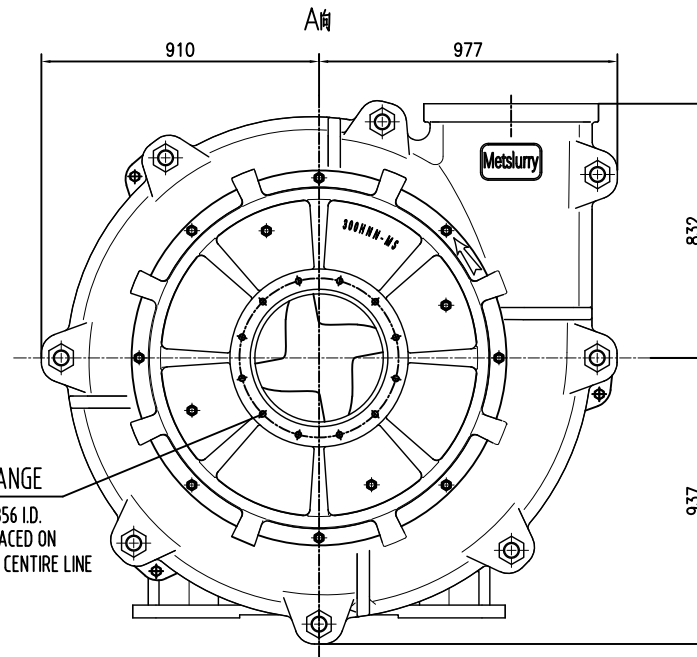
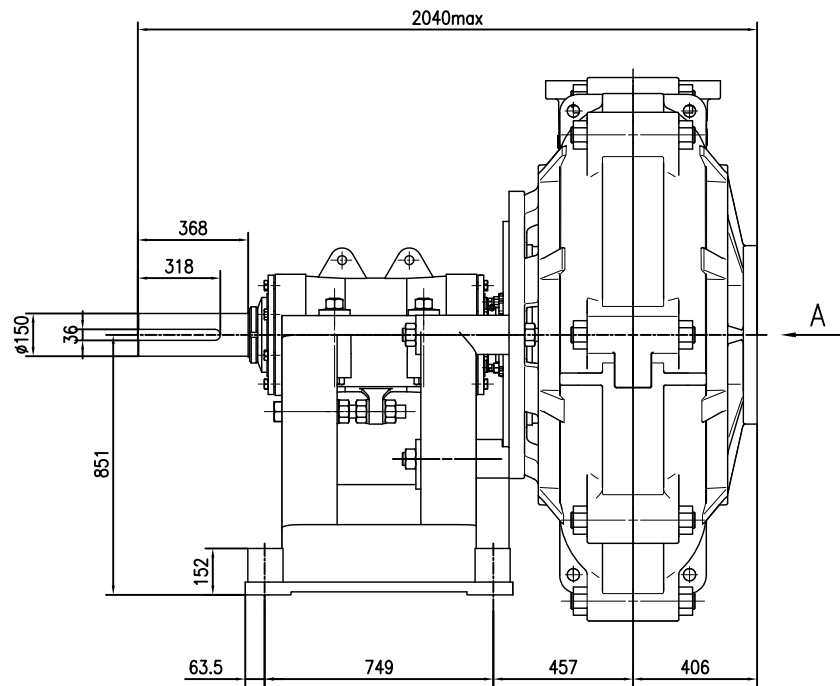
Pump	
Discharge	305mm
Suction	356mm
Impeller	
Vane ø	1024mm
Type	Closed
Vanes	4
Part No.	HNN300001
Material	Metal
Frame (Rating - KW)	
M	260
MMX	425
MM	425
RSX	560
RS	560
N	600
NN	900
Y	1200
YY	1200
Seal	
Gland Sealed Pump	
Liner (Norm Max r/min)	
Metal	700
Min Passage Size	
135mm	
Curve	
Revision	1



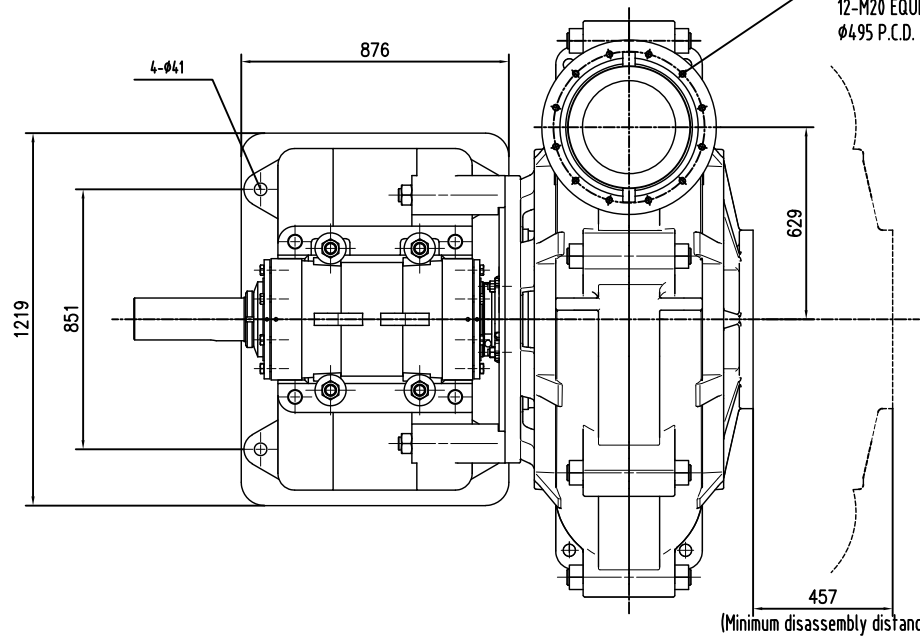
TYPICAL PUMP PERFORMANCE CURVE
WPAH300A01/1

© 11/2023 Metslurry
 All Rights Reserved


CURVE SHOWS APPROXIMATE PERFORMANCE FOR CLEAR WATER (International Test Standard ISO9906:1999 - Grade 2 unless otherwise specified). For media other than water, corrections must be made for density, viscosity and/or other effects of solids. Frame suitability must be checked for each duty and drive arrangement. Not all frame alternatives are necessarily available from each manufacturing centre. Metslurry reserves the right to change pump performance and/or delete impellers without notice.



INTAKE FLANGE
 Ø584 O.D. X Ø356 I.D.
 12-M20 EQUISPACED ON
 Ø521 P.C.D. OFF CENTRE LINE



DISCHARGE FLANGE
 Ø572 O.D. X Ø305 I.D.
 12-M20 EQUISPACED ON
 Ø495 P.C.D. OFF CENTRE LINE

		SLURRY PUMP		300HNN-MS		
		OUTLINE DIMENSIONS		Weight	Proportion	REV
DESIGN	MengDar	DATA	24.11.023	7200	1:12	1
CHECK				Shijiazhuang Mets Machinery Co. Ltd		
APP						